



INSTALLATION INSTRUCTIONS AND OWNER'S MANUAL

The *White Mountain* Log Collection



**LOG SET FOR UNVENTED
GAS LOG HEATER
OR
VENTED DECORATIVE APPLIANCE**

MODELS

LS-18P-1

LS-24P-1

LS-30P-1

**EFFECTIVE DATE
JANUARY 2007**

WARNING: If the information in these instructions are not followed exactly, a fire or explosion may result causing property damage, personal injury or loss of life.

- Do not store or use gasoline or other flammable vapors and liquids in the vicinity of this or any other appliance.
- **WHAT TO DO IF YOU SMELL GAS**
 - Do not try to light any appliance.
 - Do not touch any electrical switch; do not use any phone in your building.
 - Immediately call your gas supplier from a neighbor's phone. Follow the gas supplier's instructions.
 - If you cannot reach your gas supplier, call the fire department.
- Installation and service must be performed by a qualified installer, service agency or the gas supplier.



We suggest that our gas hearth products be installed and serviced by professionals who are certified in the U.S. by the National Fireplace Institute® (NFI) as NFI Gas Specialists.

Installer: Leave this manual with the appliance.

Consumer: Retain this manual for future reference.

Log sets comply with ANSI Z21.11.2 Unvented Heaters and also comply with ANSI Z21.60 Decorative Vented Appliances for Solid Fuel Burning Fireplaces. State or local codes may only allow operation of log sets in a vented configuration. Check your state or local codes.

WARNING: If not installed, operated and maintained in accordance with the manufacturer's instructions, this product could expose you to substances in fuel or from fuel combustion which can cause death or serious illness.

TABLE OF CONTENTS

Section	Page
Important Installation Guidelines.....	3
General Information	3
Log Placement.....	4-6
LS-18P-1 Photos	7
LS-24P-1 Photos	8
LS-30P-1 Photos	9
Parts List & Parts View	10
How to Order Repair Parts.....	11
Notes	11

IMPORTANT INSTALLATION GUIDELINES

Proper Log Placement

Log placement is critical to proper burner performance. Logs must be correctly positioned onto the burner. The photos in this manual show the proper pinned position for logs on this set. Owners need to be shown proper log placement and instructed not to move the logs.

Logs must fit firmly onto the burner when positioned as shown in the photos. Malformed logs or logs with sloppy pin holes must be replaced.

Proper Placement of Rock Wool and Decorative Lava Rock

Rock wool can be added to burners for a glowing ember effect. It must be positioned only on the front portion of the burner. The photos in this manual show the proper placement of rock wool.

Decorative lava rock or small wood pieces should never be placed on the burner. These items are only for placement on the floor of the fireplace or firebox.

Proper Primary Airflow into Burner

For proper burner operation and flame appearance, the flow of primary air into the venturi tube, located on the rear of the burner, must not be reduced. This flow of air is reduced if dirt, lint or other obstructions build-up around or inside the venturi. Any obstruction in the venturi tube area must be removed. The flow of air into the venturi is also reduced if the gas orifice isn't centered in the venturi inlet and/or is not aligned with the venturi. Any misalignment of the burner orifice may be corrected by bending the shutter cap holding the orifice to the inlet of the venturi tube.

Ceiling Fans, Portable Fans or Logs Installed Near Cold Air Returns

Ceiling fans or oscillating floor type fans need to be monitored during the operation of vent-free logs. If the air blows directly into the flame causing it to impinge on the log set, or firebox, it should be turned off or redirected. Ceiling fans could be reversed to possibly eliminate flame impingement, and the floor fan could be redirected. Upon installation, be aware of any cold air returns or vents in the proximity of the log set. Any draft created around a vent-free log set can cause the flame to impinge on the log and create a sooting situation.

WARNING: Do not allow fans to blow directly into the fireplace. Avoid any drafts that alter burner flame patterns.

WARNING: Do not use a blower insert, heat exchanger insert or other accessory not approved for use with this heater.

Candles

Avoid the use of scented or decorative candles while the log set is in operation. Candles produce a residue in the air that creates a soot like substance. Burning candles while the log set is operating magnifies the problem. It should be noted that candles, in general, produce soot. The amount of time burned and the quantity of candles burned will determine the amount of soot produced and deposited.

Make Owners Aware of Proper Log Set Operation

Properly installed and properly maintained log sets do not deposit soot on the logs. If users see soot appear on a log, call for service. Do not continue to operate the log set.

Sunken Fireplace

If installing this unit into a sunken fireplace, you must raise the floor to insure adequate airflow and guard against sooting. Raise fireplace floor using a non-combustible material, which is secure.

Glass Doors

Make sure that glass doors are open during all operations of the logset. The opening of the glass door frame should be the dimension used for the minimum front opening of the firebox.

Woodburning Fireplaces

The interior of the firebox and the chimney should be cleaned and free of all creosote before installing a gas burning log set. Creosote will soften when heated and can drop on the logset causing odors and possibly sooting.

WARNING: Before installing in a solid-fuel burning fireplace, the chimney flue and firebox must be cleaned of soot, creosote, ashes and loose paint by a qualified chimney cleaner.

GENERAL INFORMATION

Qualified Installing Agency

Installation and replacement of gas piping, gas utilization equipment or accessories and repair and servicing of equipment shall be performed only by a qualified agency. The term "qualified agency" means any individual, firm, corporation, or company that either in person or through a representative is engaged in and is responsible for (a) the installation, testing, or replacement of gas piping or (b) the connection, installation, testing, repair, or servicing of equipment; that is experienced in such work; that is familiar with all precautions required, and that has complied with all the requirements of the authority having jurisdiction.

The installation must conform with local codes or, in the absence of local codes, with the *National Fuel Gas Code, ANSI Z223.1/NFPA54*.*

*Available from the American National Standards Institute, Inc. 11 West 42nd St., New York, N.Y. 10018.

20176-3-0107

State of Massachusetts: The installation must be made by a licensed plumber or gas fitter in the Commonwealth of Massachusetts.

Sellers of unvented propane or natural gas-fired supplemental room heaters shall provide to each purchaser a copy of 527 CMR 30 upon sale of the unit.

In the State of Massachusetts, unvented propane and natural gas-fired space heaters shall be prohibited in bedrooms and bathrooms.

LOG PLACEMENT

Before you begin: Do not handle these logs with your bare hands! Always wear gloves to prevent skin irritation. After handling logs, wash your hands gently with soap and water.

All Logs

The positioning of the logs is critical to the safe and clean operation of this heater. Sooting and other problems may result if the logs are not properly and firmly positioned in the appliance.

Refer to **Figure 1** for the following warning.

Warning: Failure to position the parts in accordance with this diagram or failure to use only parts specifically approved with this appliance may result in property damage or personal injury.

PROPER INSTALLATION SEQUENCE:

LS-(18, 24, 30)P
(Figures 1 to 5)

1. Place front left (A) log onto burner pan pins.
2. Place rear left (B) log between rear log support and front left log (A)
3. Place rear right (C) log between rear log support and burner pan, resting on right side of burner pan.
4. Place right front (D) log onto pins on burner pan.

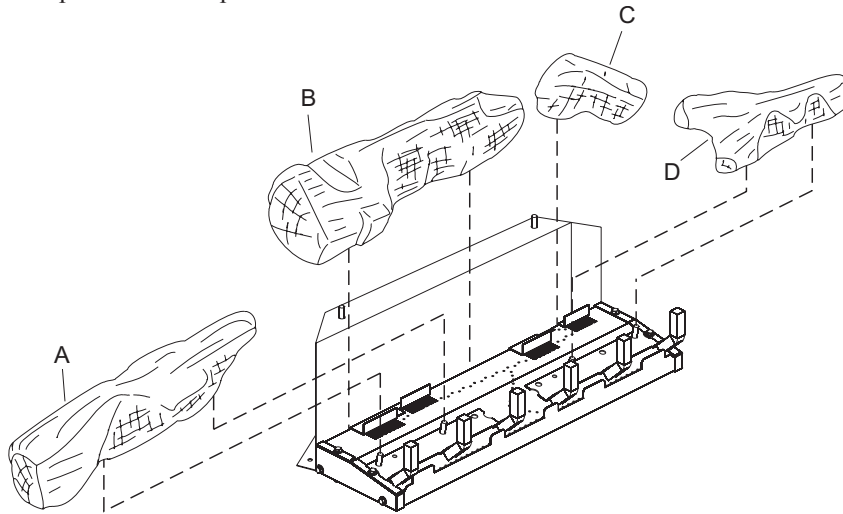


Figure 1

5. Place rear center (E) log onto left pin of rear log support.
6. Place boss on middle left (F) log into recess on rear left (B) log and left front (A) log.
7. Place middle right (G) log onto the right pin of rear log support and resting on rear right (C) log.

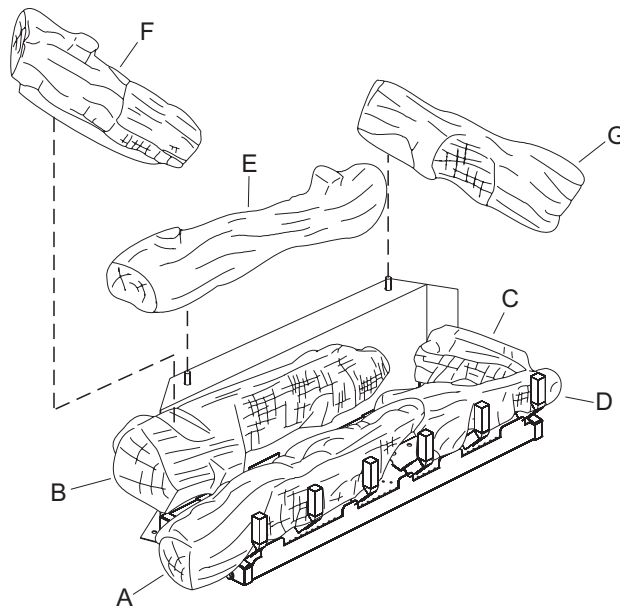


Figure 2

LOG PLACEMENT

8. Insert boss on upper middle right (H) log into recess on middle right (G) log and on front grate bar
9. Place recess in middle center (I) log onto boss on rear center (E) log and resting on front left (A) log.
10. Place square recess in upper middle left (J) log onto round boss on middle left (F) log and round recess in upper middle left (J) log onto boss on rear center (E) log

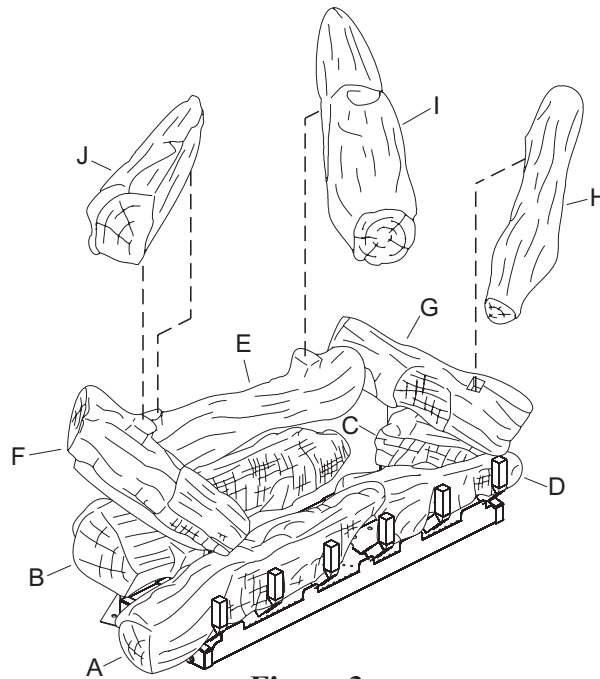


Figure 3

11. Place round recess in top center (K) log onto round boss on upper middle left (J) log and insert square boss on top center (K) log into square recess in middle center (I) log.

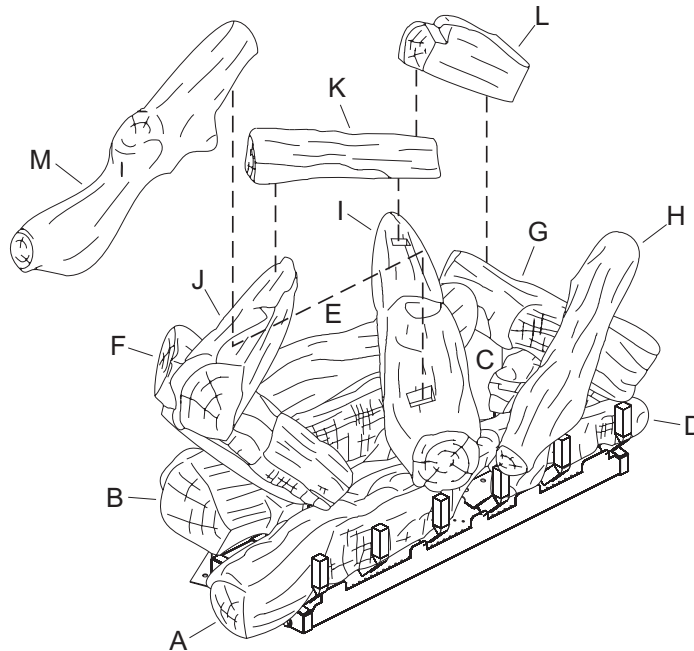


Figure 4

12. Insert boss on top right (L) log into recess on middle center (I) log.
13. On LS-18P and LS-30P log sets, insert boss in top left (M) log onto recess on middle center (I) log and rest on (J) log.
13. On LS-24P log sets, insert boss in top left (M) log onto recess on middle center (I) log and rest on (F) log.

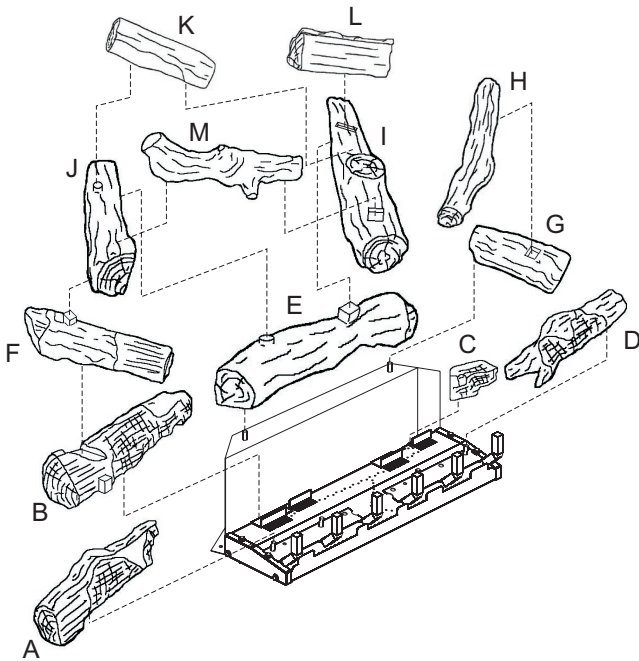
LOG PLACEMENT

Apply loose material (glowing embers) per appropriate Installation Instructions and Owner's Manual. Replacement of loose material (glowing embers) must be purchased from Empire Comfort Systems, Inc. Application of excess loose material (glowing embers) may adversely affect performance of the heater. **WARNING:** All previously applied loose material must be removed prior to reapplication.

Replacement Loose Material (glowing embers) Part Number

LS-18P	15999
LS-24P	15970
LS-30P	15970
Platinum Bright Embers	PE-20-1

Note: A single layer of embers is to be used when applying Platinum Bright Embers (alone or in combination with production embers) to the burner.



Log Placement
LS-(18, 24, 30)P Logs

Figure 5

Attention: Do not use Figures 1 to 5 to order replacement logs. Refer to Page 11, Parts List and Parts View to order logs for your appropriate model number.

The following **WARNING** applies when log set is installed onto an unvented gas burner assembly.

WARNING: This appliance is equipped for (natural or propane) gas. Field conversion is not permitted.

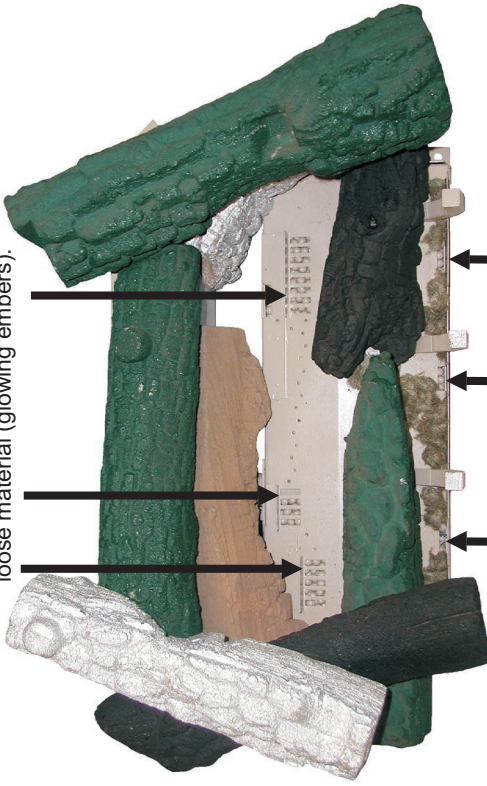
EMBER PLACEMENT LS-18P-1 PHOTOS

Photo 1



Photo 2
Some logs have been removed for clarity

Do not cover any large rear ports with loose material (glowing embers).



Do not cover any large front ports with loose material (glowing embers).



Photo 3
Some logs have been removed for clarity



Photo 4
Some logs have been removed for clarity

EMBER PLACEMENT LS-24P-1 PHOTOS

Photo 2
Some logs have been removed for clarity
Do not cover any large rear ports with loose material (glowing embers)

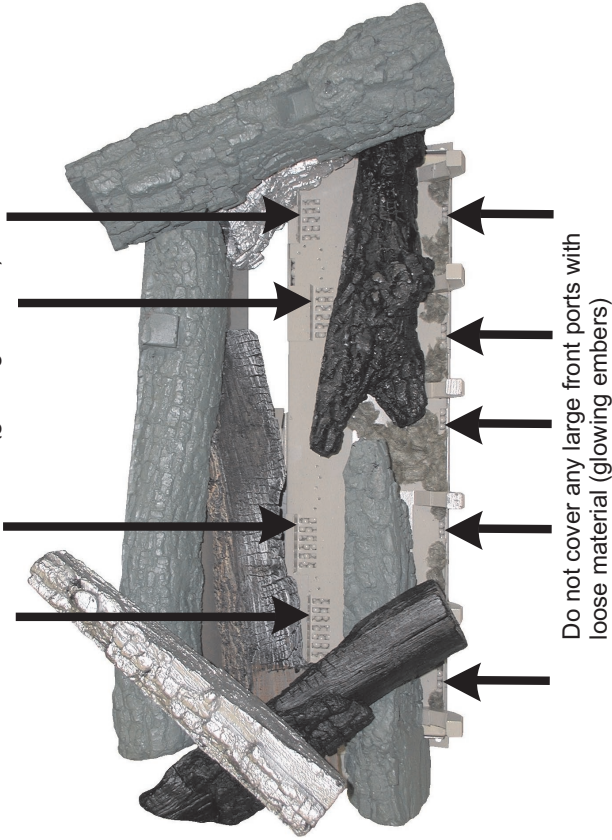


Photo 1



Photo 3
Some logs have been removed for clarity



Photo 4

Some logs have been removed for clarity

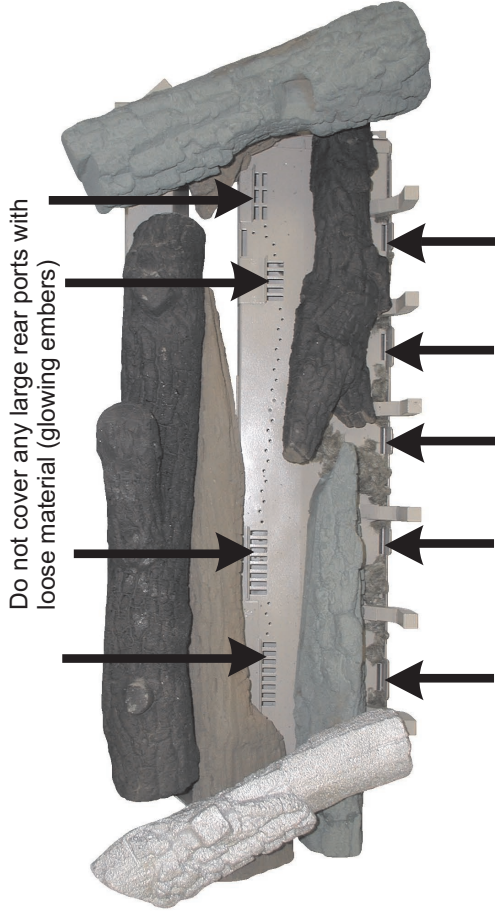


EMBER PLACEMENT LS-30P-1 PHOTOS

Photo 1



Photo 2
Some logs have been removed for clarity



Do not cover any large rear ports with loose material (glowing embers)

Do not cover any large rear ports with loose material (glowing embers)

Photo 3
Some logs have been removed for clarity

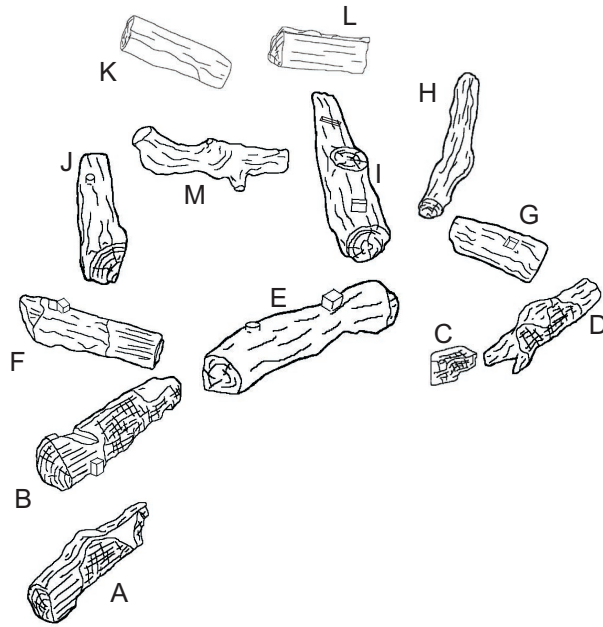


Photo 4
Some logs have been removed for clarity



PARTS LIST & PARTS VIEW

Attention: When ordering parts, it is very important that **part number** and **description** of part coincide.



Index No.	Part Number LS-18P-1	Part Number LS-24P-1	Part Number LS-30P-1	Description
A	R-8353	R-8361	R-8368	Front Left Log
B	R-8775	R-8412	R-8777	Rear Left Log
C	R-8699	R-8699	R-8699	Rear Right Log
D	R-8354	R-8362	R-8369	Front Right Log
E	R-8355	R-8363	R-8370	Rear Center Log
F	R-8413	R-9020	R-8778	Middle Left Log
G	R-8700	R-8700	R-8700	Middle Right Log
H	R-8776	R-8198	R-8779	Upper, Middle Right Log
I	R-8367	R-9019	R-8367	Middle Center Log
J	R-8774	R-8379	R-8379	Upper, Middle Left Log
K	R-8364	R-8364	R-8371	Top Center Log
L	R-8366	R-8366	R-8366	Top Right Log
M	R-8365	R-8365	R-8372	Top Left Log

USE ONLY MANUFACTURER'S REPLACEMENT PARTS. USE OF ANY OTHER PARTS COULD CAUSE INJURY OR DEATH.

HOW TO ORDER REPAIR PARTS

Parts can be ordered **only** through your **service person or dealer**. For best results, the **service person or dealer** should order parts through the distributor. Parts can be shipped directly to the **service person/dealer**.

All parts listed in the Parts List have a Part Number. When ordering parts, first obtain the Model Number from the name plate on your equipment. Then determine the Part Number (**not** the Index Number) and the Description of each part from the following appropriate illustration and list. Be sure to give all this information . . .

Appliance Model Number _____ Part Description _____
 Appliance Serial Number _____ Part Number _____
 Type of Gas (Propane or Natural) _____

Do not order bolts, screws, washers or nuts. They are standard hardware items and can be purchased at any local hardware store.
 Shipments contingent upon strikes, fires and all causes beyond our control.

NOTES



Empire Comfort Systems, Inc.
918 Freeburg Ave. Belleville, IL 62220
PH: 618-233-7420 or 800-851-3153
FAX: 618-233-7097 or 800-443-8648
info@empirecomfort.com

www.empirecomfort.com